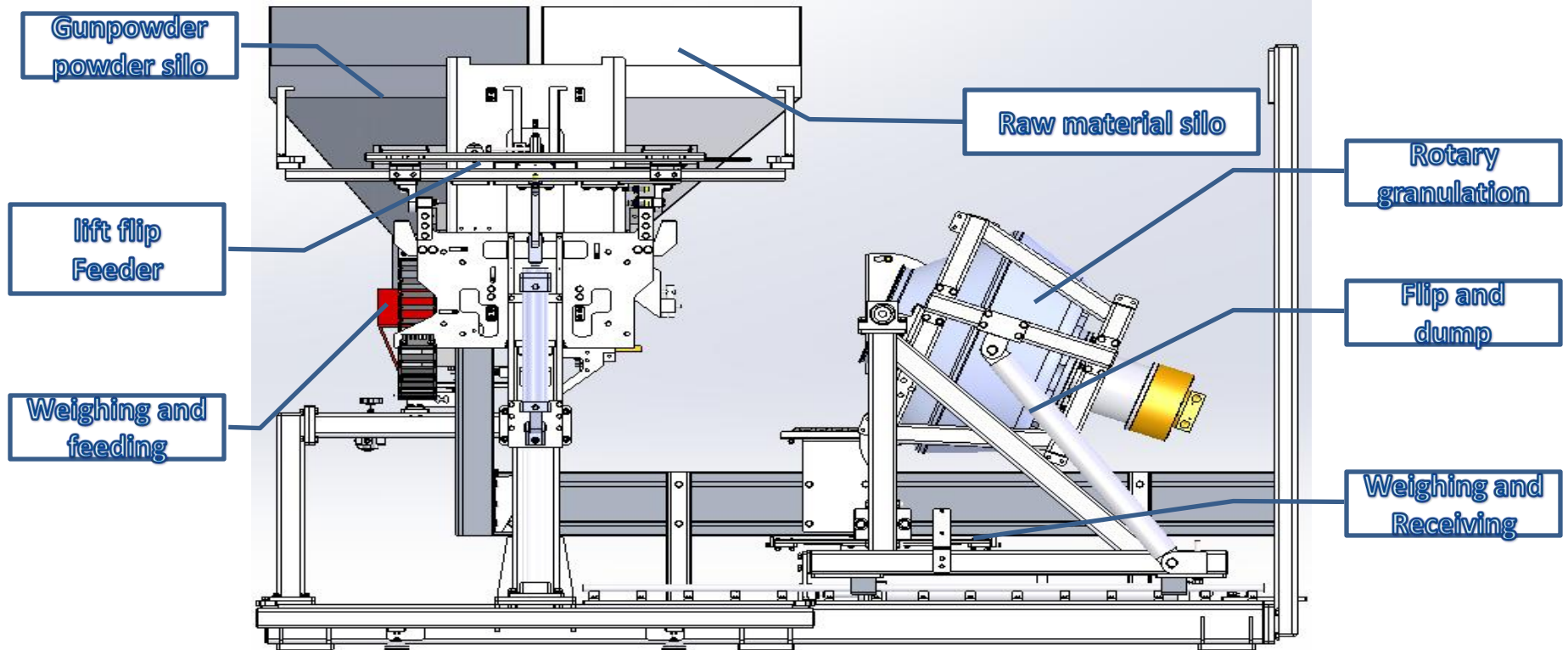




**Fireworks and Firecrackers Production  
Line-Granulation station**

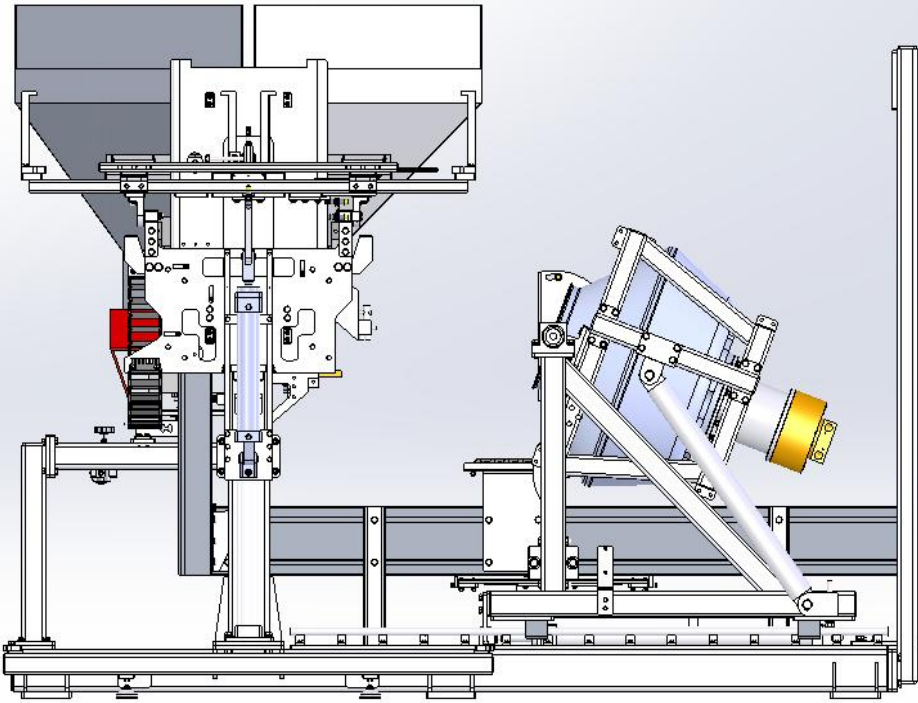
# Single station layout

# Granulation station



## Single station function

## Granulation station



- Add the raw materials into the corresponding silos respectively.
- The vibrating feeder quantitatively sprinkles the gunpowder powder into the granulation pot.
- The granulation pot will rotate and shake the raw medicine granules and gunpowder in the pot into balls.
- Spray the appropriate amount alcohol on the ball, and then add gunpowder powder to rotate.
- Repeat the above actions in turn until the gunpowder in the rotating granulation pot forms bright beads.
- After the granulation is completed, the turning mechanism will turn action to pour the bright beads from the pot into the material box on the material receiving platform.



A night cityscape featuring a bridge with illuminated piers, a central tower with blue lights, and several large fireworks exploding in the dark sky. The text "Thank you" is overlaid in the center.

Thank you